

**HM1 Series High Efficiency
Three Phase Asynchronous Induction Motor**

HONGMA

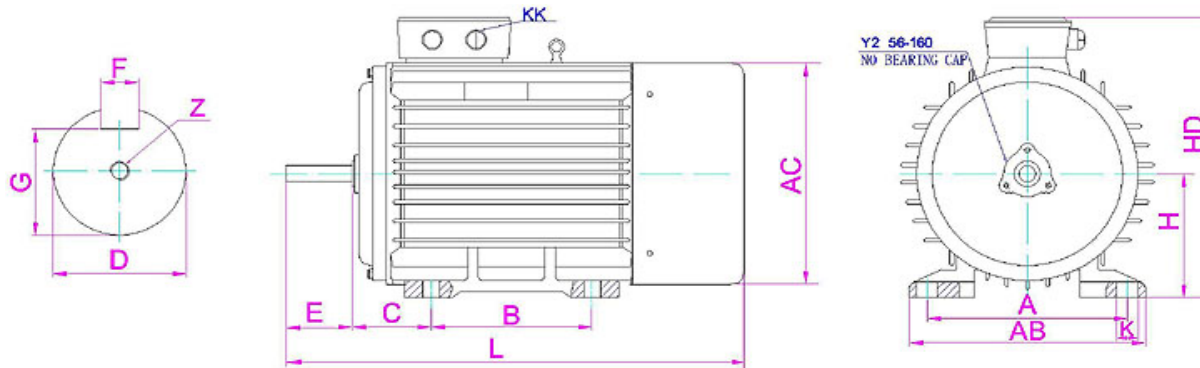
www.hongmamotor.com

Tel:0086 574 88650088

E-mail:hongma@hongmamotor.com

MOUNTING DATA

Type of Construction: IMB3 H80~315



TYPE	POLE	MOUNTING DIMENSIONS											OVERALL DIMENSIONS			
		A	B	C	D	E	F	G	H	K	Z	KK	AB	AC	HD	L
HMI 80M	2.4.6.8	125	100	50	19	40	6	15.5	80	10	M6×16	1-M25×1.5	152	153	202	290
HMI 90S	2.4.6.8	140	100	56	24	50	8	20	90	10	M8×19	1-M25×1.5	168	172	225	315
HMI 90L	2.4.6.8	140	125	56	24	50	8	20	90	10	M8×19	1-M25×1.5	168	172	225	340
HMI 100L	2.4.6.8	160	140	63	28	60	8	24	100	12	M10×22	1-M25×1.5	192	193	245	370
HMI 112M	2.4.6.8	190	140	70	28	60	8	24	112	12	M10×22	2-M32×1.5	222	223	277	395
HMI 132S	2.4.6.8	216	140	89	38	80	10	33.3	132	12	M12×28	2-M32×1.5	248	265	340	470
HMI132M	2.4.6.8	216	178	89	38	80	10	33.3	132	12	M12×28	2-M32×1.5	248	265	340	500
HMI 160M	2.4.6.8	254	210	108	42	110	12	37	160	15	M12×28	2-M40×1.5	315	330	420	605
HMI 160L	2.4.6.8	254	254	108	42	110	12	37	160	15	M12×28	2-M40×1.5	315	330	420	680

**HM1 Series High Efficiency
Three Phase Asynchronous Induction Motor**

HONGMA

www.hongmamotor.com

Tel:0086 574 88650088

E-mail:hongma@hongmamotor.com

TYPE	POLE	MOUNTING DIMENSIONS											OVERALL DIMENSIONS			
		A	B	C	D	E	F	G	H	K	Z	KK	AB	AC	HD	L
HMI 180M	2.4.6.8	279	241	121	48	110	14	42.5	180	15	M12x28	2-M40x1.5	350	352	445	694
HMI 180L	2.4.6.8	279	279	121	48	110	14	42.5	180	15	M12x28	2-M40x1.5	350	352	445	732
HMI 200L	2.4.6.8	318	305	133	55	110	16	49	200	19	M20x42	2-M50x1.5	390	394	515	774
HMI 225S	4.8	356	286	149	60	140	18	53	225	19	M20x42	2-M50x1.5	435	442	560	820
HMI 225M	2	356	311	149	55	110	16	49	225	19	M20x42	2-M50x1.5	435	442	560	813
HMI 225M	4.6.8	356	311	149	60	140	18	53	225	19	M20x42	2-M50x1.5	435	442	560	873
HMI 250M	2	406	349	168	60	140	18	53	250	24	M20x42	2-M63x1.5	490	481	625	922
HMI 250M	4.6.8	406	349	168	65	140	18	58	250	24	M20x42	2-M63x1.5	490	481	625	922
HMI 280S	2	457	368	190	65	140	18	58	280	24	M20x42	2-M63x1.5	547	550	680	991
HMI 280S	4.6.8	457	368	190	75	140	20	67.5	280	24	M20x42	2-M63x1.5	547	550	680	991
HMI 280M	2	457	419	190	65	140	18	67.5	280	24	M20x42	2-M63x1.5	547	550	680	1040
HMI 280M	4.6.8	457	419	190	75	140	20	67.5	280	24	M20x42	2-M63x1.5	547	550	680	1040
HMI 315S	2	508	406	216	65	140	18	58	315	28	M20x42	2-M63x1.5	630	600	855	1160
HMI 315S	4.6.8.10	508	406	216	80	170	22	71	315	28	M20x42	2-M63x1.5	630	600	855	1190
HMI 315L	2	508	508	216	65	140	18	58	315	28	M20x42	2-M63x1.5	630	600	855	1190
HMI 315L	4.6.8.10	508	508	216	80	170	22	71	315	28	M20x42	2-M63x1.5	630	600	855	1300

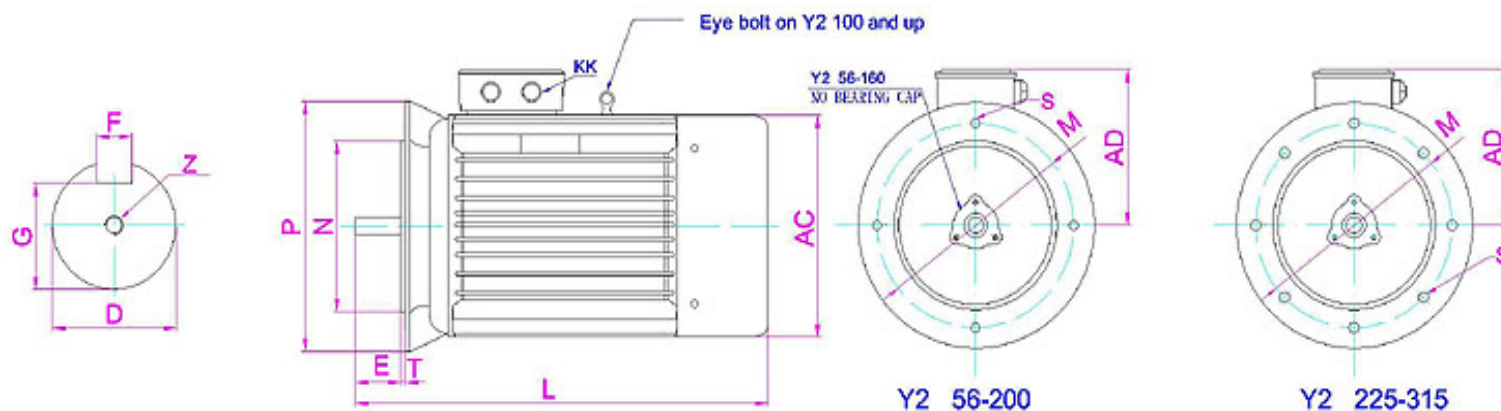
**HM1 Series High Efficiency
Three Phase Asynchronous Induction Motor**

HONGMA

www.hongmamotor.com
Tel:0086 574 88650088
E-mail:hongma@hongmamotor.com

MOUNTING DATA

Type of Construction: IMB5 H80~315



TYPE	POLE	MOUNTING DIMENSIONS											OVERALL DIMENSIONS		
		M	T	P	S	D	N	E	F	G	Z	KK	AC	AD	L
HMI 80M	2.4.6.8	165	3.5	200	Φ12	19	130	40	6	15.5	M6×16	1-M25×1.5	153	122	290
HMI 90S	2.4.6.8	165	3.5	200	Φ12	24	130	50	8	20	M8×19	1-M25×1.5	172	135	315
HMI 90L	2.4.6.8	165	3.5	200	Φ12	24	130	50	8	20	M8×19	1-M25×1.5	172	135	340
HMI 100L	2.4.6.8	215	4	250	Φ15	28	180	60	8	24	M10×22	1-M25×1.5	193	145	370
HMI 112M	2.4.6.8	215	4	250	Φ15	28	180	60	8	24	M10×22	2-M32×1.5	223	165	395
HMI 132S	2.4.6.8	265	4	300	Φ15	38	230	80	10	33.3	M12×28	2-M32×1.5	265	208	470
HMI132M	2.4.6.8	265	4	300	Φ15	38	230	80	10	33.3	M12×28	2-M32×1.5	265	208	500
HMI 160M	2.4.6.8	300	5	350	Φ19	42	250	110	12	37	M12×28	2-M40×1.5	330	260	605

**HM1 Series High Efficiency
Three Phase Asynchronous Induction Motor**

HONGMA

www.hongmamotor.com
Tel:0086 574 88650088
E-mail:hongma@hongmamotor.com

TYPE	POLE	MOUNTING DIMENSIONS											OVERALL DIMENSIONS		
		M	T	P	S	D	N	E	F	G	Z	KK	AC	AD	L
HMI 160L	2.4.6.8	300	5	350	Φ19	42	250	110	12	37	M12×28	2-M40×1.5	330	260	650
HMI 180M	2.4.6.8	300	5	350	Φ19	48	250	110	14	42.5	M12×28	2-M40×1.5	352	265	694
HMI 180L	2.4.6.8	300	5	350	Φ19	48	250	110	14	42.5	M12×28	2-M40×1.5	352	265	732
HMI 200L	2.4.6.8	350	5	400	Φ19	55	300	110	16	49	M20×42	2-M50×1.5	394	315	774
HMI 225S	4.8	400	5	450	Φ19	60	350	140	18	53	M20×42	2-M50×1.5	442	335	820
HMI 225M	2	400	5	450	Φ19	55	350	110	16	49	M20×42	2-M50×1.5	442	335	813
HMI 225M	4.6.8	400	5	450	Φ19	60	350	140	18	53	M20×42	2-M50×1.5	442	335	873
HMI 250M	2	500	5	550	Φ19	60	450	140	18	53	M20×42	2-M63×1.5	481	375	922
HMI 250M	4.6.8	500	5	550	Φ19	65	450	140	18	58	M20×42	2-M63×1.5	481	375	922
HMI 280S	2	500	5	550	Φ19	65	450	140	18	58	M20×42	2-M63×1.5	550	400	991
HMI 280S	4.6.8	500	5	550	Φ19	75	450	140	20	67.5	M20×42	2-M63×1.5	550	400	991
HMI 280M	2	500	5	550	Φ19	65	450	140	18	67.5	M20×42	2-M63×1.5	550	400	1040
HMI 280M	4.6.8	500	5	550	Φ19	75	450	140	20	67.5	M20×42	2-M63×1.5	550	400	1040
HMI 315S	2	600	6	660	Φ24	65	550	140	18	58	M20×42	2-M63×1.5	600	540	1160
HMI 315S	4.6.8.10	600	6	660	Φ24	80	550	170	22	71	M20×42	2-M63×1.5	600	540	1190
HMI 315L	2	600	6	660	Φ24	65	550	140	18	58	M20×42	2-M63×1.5	600	540	1190
HMI 315L	4.6.8.10	600	6	660	Φ24	80	550	170	22	71	M20×42	2-M63×1.5	600	540	1300

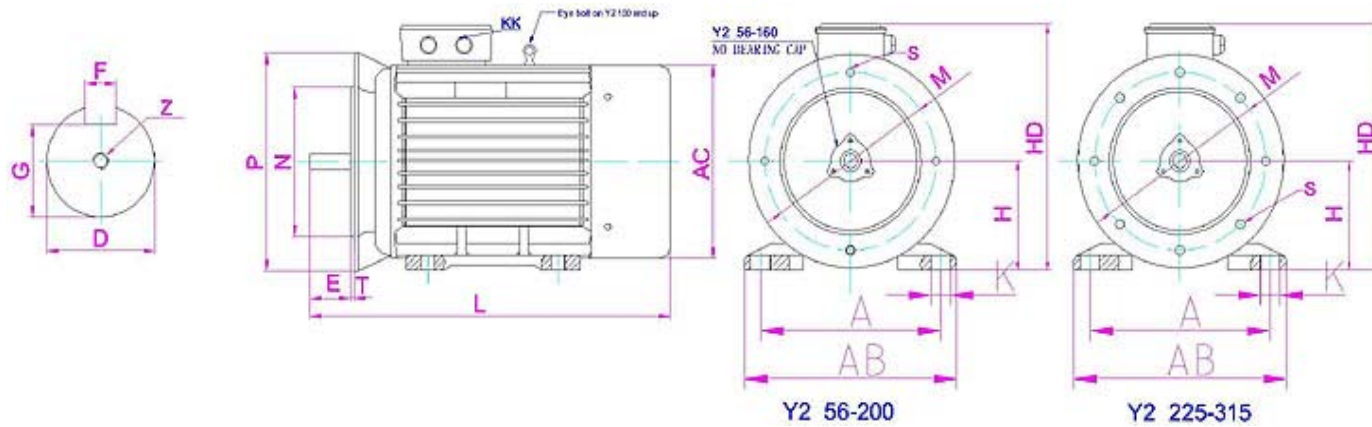
**HM1 Series High Efficiency
Three Phase Asynchronous Induction Motor**

HONGMA

www.hongmamotor.com
Tel:0086 574 88650088
E-mail:hongma@hongmamotor.com

MOUNTING DATA

Type of Construction: IMB35 H80~315



TYPE	POLE	MOUNTING DIMENSIONS															OVERALL DIMENSIONS				
		A	B	C	D	E	F	G	H	K	Z	KK	M	N	S	P	T	AB	AC	AD	L
HMI 80M	2.4.6.8	125	100	50	19	40	6	15.5	80	10	M6×16	1-M25×1.5	165	130	Φ12	200	3.5	152	153	122	290
HMI 90S	2.4.6.8	140	100	56	24	50	8	20	90	10	M8×19	1-M25×1.5	165	130	Φ12	200	3.5	168	172	135	315
HMI 90L	2.4.6.8	140	125	56	24	50	8	20	90	10	M8×19	1-M25×1.5	165	130	Φ12	200	3.5	168	172	135	340
HMI 100L	2.4.6.8	160	140	63	28	60	8	24	100	12	M10×22	1-M25×1.5	215	180	Φ15	250	4	192	193	145	370
HMI 112M	2.4.6.8	190	140	70	28	60	8	24	112	12	M10×22	2-M32×1.5	215	180	Φ15	250	4	222	223	165	395
HMI 132S	2.4.6.8	216	140	89	38	80	10	33.3	132	12	M12×28	2-M32×1.5	265	230	Φ15	300	4	248	265	208	470
HMI 132M	2.4.6.8	216	178	89	38	80	10	33.3	132	12	M12×28	2-M32×1.5	265	230	Φ15	300	4	248	265	208	500
HMI 160M	2.4.6.8	254	210	108	42	110	12	37	160	15	M12×28	2-M40×1.5	300	250	Φ19	350	5	315	330	420	605
HMI 160L	2.4.6.8	254	254	108	42	110	12	37	160	15	M12×28	2-M40×1.5	300	250	Φ19	350	5	315	330	420	650
HMI 180M	2.4.6.8	279	241	121	48	110	14	42.5	180	15	M12×28	2-M40×1.5	300	250	Φ19	350	5	350	352	445	694
HMI 180L	2.4.6.8	279	279	121	48	110	14	42.5	180	15	M12×28	2-M40×1.5	300	250	Φ19	350	5	350	352	445	732

**HM1 Series High Efficiency
Three Phase Asynchronous Induction Motor**

HONGMA

www.hongmamotor.com
Tel:0086 574 88650088
E-mail:hongma@hongmamotor.com

TYPE	POLE	MOUNTING DIMENSIONS																OVERALL DIMENSIONS			
		A	B	C	D	E	F	G	H	K	Z	KK	M	N	S	P	T	AB	AC	AD	L
HMI 200L	2.4.6.8	318	305	133	55	110	16	49	200	19	M20×42	2-M50×1.5	350	300	Φ19	400	5	390	394	515	774
HMI 225S	4.8	356	286	149	60	140	18	53	225	19	M20×42	2-M50×1.5	400	350	Φ19	450	5	435	442	560	820
HMI 225M	2	356	311	149	55	110	16	49	225	19	M20×42	2-M50×1.5	400	350	Φ19	450	5	435	442	560	813
HMI 225M	4.6.8	356	311	149	60	140	18	53	225	19	M20×42	2-M50×1.5	400	350	Φ19	450	5	435	442	560	873
HMI 250M	2	406	349	168	60	140	18	53	250	24	M20×42	2-M63×1.5	500	450	Φ19	550	5	490	481	625	922
HMI 250M	4.6.8	406	349	168	65	140	18	58	250	24	M20×42	2-M63×1.5	500	450	Φ19	550	5	490	481	625	922
HMI 280S	2	457	368	190	65	140	18	58	280	24	M20×42	2-M63×1.5	500	450	Φ19	550	5	547	550	680	991
HMI 280S	4.6.8	457	368	190	75	140	20	67.5	280	24	M20×42	2-M63×1.5	500	450	Φ19	550	5	547	550	680	991
HMI 280M	2	457	419	190	65	140	18	67.5	280	24	M20×42	2-M63×1.5	500	450	Φ19	550	5	547	550	680	1040
HMI 280M	4.6.8	457	419	190	75	140	20	67.5	280	24	M20×42	2-M63×1.5	500	450	Φ19	550	5	547	550	680	1040
HMI 315S	2	508	406	216	65	140	18	58	315	28	M20×42	2-M63×1.5	600	550	Φ24	660	6	630	600	855	1160
HMI 315S	4.6.8.10	508	406	216	80	170	22	71	315	28	M20×42	2-M63×1.5	600	550	Φ24	660	6	630	600	855	1190
HMI 315L	2	508	508	216	65	140	18	58	315	28	M20×42	2-M63×1.5	600	550	Φ24	660	6	630	600	855	190
HMI 315L	4.6.8.10	508	508	216	80	170	22	71	315	28	M20×42	2-M63×1.5	600	550	Φ24	660	6	630	600	855	1300

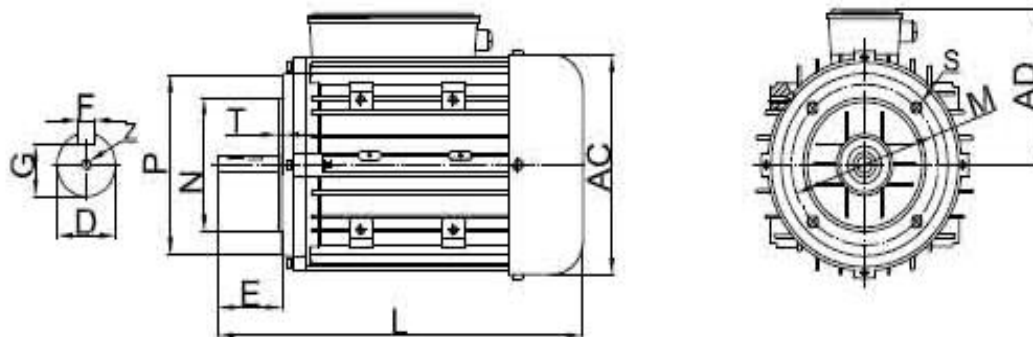
**HM1 Series High Efficiency
Three Phase Asynchronous Induction Motor**

HONGMA

www.hongmamotor.com
Tel:0086 574 88650088
E-mail:hongma@hongmamotor.com

MOUNTING DATA

Type of Construction: IMB14 H80~132



TYPE	POLE	MOUNTING DIMENSIONS									OVERALL DIMENSIONS		
		M	D	E	F	N	T	Z	KK	S	AC	AD	L
HMI 80M	2.4.6.8	100	19	40	6	80	3.5	M6×16	1-M25×1.5	M6	153	122	290
HMI 90S	2.4.6.8	115	24	50	8	95	3.5	M8×19	1-M25×1.5	M8	172	135	315
HMI 90L	2.4.6.8	115	24	50	8	95	3.5	M8×19	1-M25×1.5	M8	172	135	340
HMI 100L	2.4.6.8	130	28	60	8	110	4	M10×22	1-M25×1.5	M8	193	145	370
HMI 112M	2.4.6.8	165	28	60	8	130	4	M10×22	2-M32×1.5	M10	223	165	395
HMI 132S	2.4.6.8	165	38	80	10	130	4	M12×28	2-M32×1.5	M10	255	187	470
HMI132M	2.4.6.8	165	38	80	10	130	4	M12×28	2-M32×1.5	M10	255	187	500